

LED Floodlight | Compact

REPLACES:

Metal Halide Flood, Sodium Flood, Halogen Flood


OPERATING

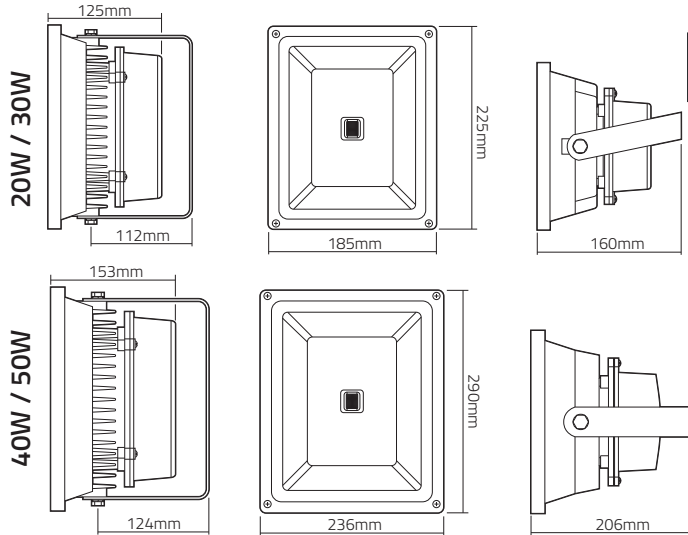
TEMP:
-40°C - 55°C

SUITABLE FOR:

Exterior & Interior, Industrial, Engineering, Processing, Production, Storage & Distribution, Sports & Leisure, Large spaces

COLOUR TEMPERATURE:

 DAYLIGHT 5-5.5K
 NATURAL 4-4.5K
 WARM 3-3.5K



5 YEAR
GUARANTEE



LAMP SPECIFICATION

VOLTAGE	AC 85V - 265V
FREQUENCY	50Hz - 60Hz
OPERATING TEMP	-40°C - 55°C
CRI	>80 (Daylight White)
POWER FACTOR	0.95
BEAM ANGLE	120°
IP RATING	IP65
WEIGHT 20/30W:	2.5Kg
40/50W:	3.9Kg
LIFESPAN	50,000 Hours

The LED By Vision™ Compact Floodlight range is one of the most **superior full fitting solutions** available on the market ranging from 20W-50W, offering **savings up to 85%**.

This is a true **"fit and forget"** product comprising of a high quality **powder coated steel** to enhance longevity against the elements. As an IP65 rated product these lamps work perfectly in **interior/exterior applications** and with instant striking soft start technology act as the perfect **deterrent or H&S biased solution**.



50,000 HOURS



INSTANT ON



LAYERED LED



ZERO U.V. EMISSIONS



NO MERCURY OR HARMFUL GAS

POWER	PRODUCT CODE	COLOUR TEMPERATURE	LUMENS	LUMINANCE CONE	DISTRIBUTION CURVE
20W	LBVFL20D	Daylight (5K-5.5K)	2200		
	LBVFL20N	Natural (4K-4.5K)	2100		
	LBVFL20W	Warm (3K-3.5K)	2000		
30W	LBVFL30D	Daylight (5K-5.5K)	3300		
	LBVFL30N	Natural (4K-4.5K)	3150		
	LBVFL30W	Warm (3K-3.5K)	3000		
40W	LBVFL40D	Daylight (5K-5.5K)	4400		
	LBVFL40N	Natural (4K-4.5K)	4200		
	LBVFL40W	Warm (3K-3.5K)	4000		
50W	LBVFL50D	Daylight (5K-5.5K)	5500		
	LBVFL50N	Natural (4K-4.5K)	5250		
	LBVFL50W	Warm (3K-3.5K)	5000		

Complies with:

EMC Directive 2004/108/EC, (EN55015:2006+A2:2009, EN61547:2009.

EN61000-3-2:2006+A1:2009, EN61000-3-3:2008)

LVD DIRECTIVE 2006/95/EC (EN60598-1:2008+A11:2009,

EN60598-2-1:1989)

RoHS
compliant 